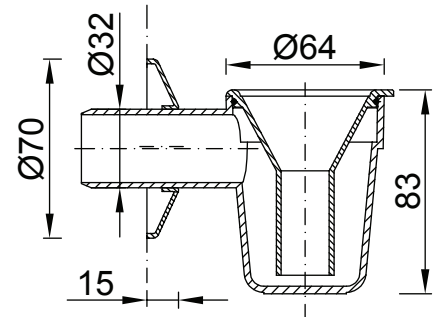


Condensation trap with non-return valve
(white) plastic



WE ARE BUILDING NEW CONNECTIONS



DURABLE

The plastic product can withstand all environmental conditions. There is no liquid absorption or substate mold which guarantees a long life service.



SIMPLICITY

Our products are quick to ordering



RECYCLABILITY

The plastic's main advantage of the recycling. All products are 100% recyclable.



PP - Polypropylene

Polypropylene (abbreviated PP, molecular formula (C₃H₆)_x) thermoplastic polymer is produced by the chemical industry and is widely used. The third most common plastic polymerization.

PRODUCT DATAS

Quantity:	70 pcs
Package weight (kg):	5,855 kg
Package dimension (L x W x T):	390 mm x 385 mm x 305 mm
Default color:	White
Inlet:	Ø20 mm
Outlet:	Ø32 mm
Flow rate:	5,5 l/min



H-2243 Kóka, Zsámboki út ipartelep



Tel.: +36 29 629 030



E-mail: ertekesites@styron.hu



www.styron.hu

www.styron.hu

STYRON is your best Partner



Buying from STYRON is simple and speedy because you're working directly with the manufacturer.



STYRON offers a great Sales Team who will speak with you regarding your needs and help deliver the best and most efficient plastic solutions.



CERTIFICATIONS & STANDARDS



Contact us at +36.29.629.030/111 to get started.

Connect: www.styron.hu

STYRON:

Styron Ltd. founded in January 1990. From our initial family business of a few people, our company has now more than 100 people, and has grown to become a market-leading drainage fitting manufacturer recognized at European level. The initial family business began to grow into a 100% self-sustaining firm over the years. Styron Kft. has become one of the dominant medium-sized companies in the region, where progress is now more significant than ever. Contact our sales colleagues at the above contacts!



„Quality is the foundation of the market”